

ASAP FASTENING SYSTEMS EQUIPMENT

STUD WELDING EQUIPMENT & ACCESSORIES CATALOG



www.asapfastening.com

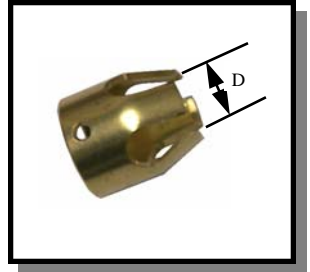
sales@asapfastening.com

2013 S 37th St. Unit F
Milwaukee, WI 53215
Phone: (414) 344-4500
Fax: (414) 344-4504

FERRULE GRIPS

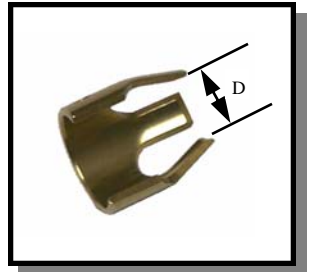
CLOSED FERRULE GRIP (1" LONG) BRASS

<u>STUD SIZE</u>	<u>FOOT SIZE</u>	<u>GRIP DIA.(D)</u>	<u>PART NO.</u>	<u>PRICE</u>
3/16	SMALL	.305	GN-019	
1/4	SMALL	.380	GN-025	
5/16	SMALL	.445	GN-031	
3/8	SMALL	.505	GN-037	
7/16	SMALL	.585	GN-043	
1/2	SMALL	.650	GN-050	
5/8	MEDIUM	.785	GN-062	
3/4	MEDIUM	1.030	GN-075	
7/8	LARGE	1.203	GN-087	
1"	LARGE	1.406	GN-100	



SPLIT FERRULE GRIP (1" LONG) BRASS

<u>STUD SIZE</u>	<u>FOOT SIZE</u>	<u>GRIP DIA.(D)</u>	<u>PART NO.</u>	<u>PRICE</u>
3/16	SMALL	.305	GC-019	
1/4	SMALL	.380	GC-025	
5/16	SMALL	.445	GC-031	
3/8	SMALL	.505	GC-037	
7/16	SMALL	.585	GC-043	
1/2	SMALL	.650	GC-050	
5/8	MEDIUM	.785	GC-062	
3/4	MEDIUM	1.030	GC-075	
7/8	LARGE	1.203	GC-087	
1"	LARGE	1.406	GC-100	



LONG SPLIT FERRULE GRIP (2" LONG) BRASS

<u>STUD SIZE</u>	<u>FOOT SIZE</u>	<u>GRIP DIA.(D)</u>	<u>PART NO.</u>	<u>PRICE</u>
1/4	SMALL	.380	GD-025	
5/16	SMALL	.445	GD-031	
3/8	SMALL	.505	GD-037	
7/16	SMALL	.585	GD-043	
1/2	SMALL	.650	GD-050	
5/8	MEDIUM	.785	GD-062	
3/4	MEDIUM	1.030	GD-075	

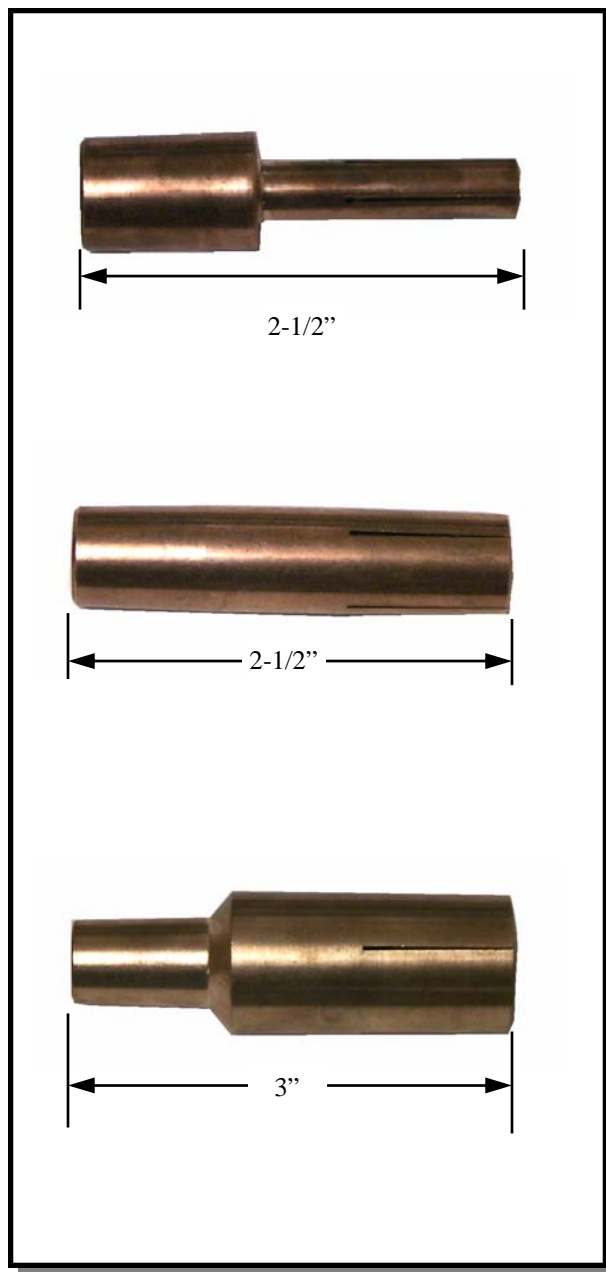


ADD \$1.00 FOR COPPER GRIPS

CHUCKS

ADJUSTABLE CHUCKS

<u>STUD DIA.</u>	<u>PART NO.</u>	<u>PRICE</u>
2MM (.079)	CN-002M	
#2	CN-008	
12 GA & #4	CN-010	
1/8 & #5	CN-012	
10 GA & #6	CN-013	
4MM (.155)	CN-004M	
#8	CN-015	
#10 & 5MM (.196)	CN-018	
6MM (.236)	CN-006M	
.215	CN-021	
.330	CN-033	
1/4	CN-025	
5/16	CN-031	
8MM	CN-008M	
3/8	CN-037	
10MM (.390)	CN-010M	
7/16	CN-043	
12MM (.472)	CN-012M	
1/2	CN-050	
14MM (.551)	CN-014M	
9/16	CN-056	
5/8	CN-062	
16MM	CN-016M	
.680	CN-068	
18MM (.708)	CN-018M	
3/4	CN-075	
7/8	CN-087	
20MM	CN-020M	
1"	CN-100	



LONG AND RECTANGULAR CHUCKS

3-7/8" LONG ADJUSTABLE CHUCKS

<u>STUD SIZE</u>	<u>PART NO.</u>	<u>PRICE</u>
#6	CM-013	
#8	CM-015	
#10 & 5MM	CM-018	
6 MM	CM-006M	
1/4	CM-025	
5/16	CM-031	
8MM	CM-008M	
.330	CM-033	
3/8	CM-037	
10MM	CM-010M	
7/16	CM-043	
12MM	CM-012M	
1/2	CM-050	
9/16	CM-056	
5/8	CM-062	



**SIZES CM-025 AND UNDER ARE
BERYLLIUM**

4-3/4" EXTRA LONG ADJUSTABLE CHUCKS

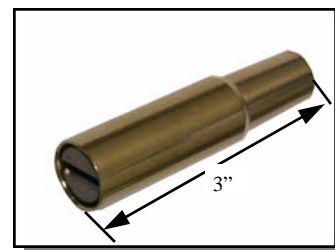
<u>STUD SIZE</u>	<u>PART NO.</u>	<u>PRICE</u>
#6	CL-013	
#8	CL-015	
#10	CL-018	
1/4	CL-025	
5/16	CL-031	
3/8	CL-037	
7/16	CL-043	
1/2	CL-050	
5/8	CL-062	
3/4	CL-075	



**SIZES CL-025 AND UNDER ARE
BERYLLIUM**

RECTANGULAR CHUCKS

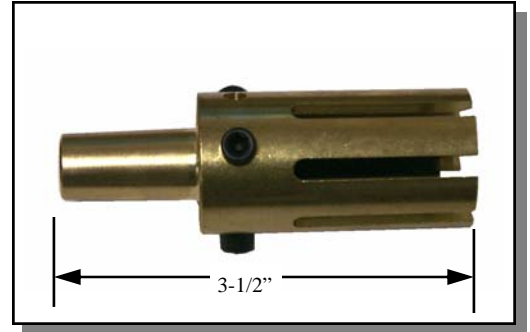
<u>STUD SIZE</u>	<u>PART NO.</u>	<u>PRICE</u>
1/8 X 1/4	CR-CA	
1/8 X 3/8	CR-CB	
1/8 X 5/8	CR-CC	
1/8 X 7/8	CR-CH	
1/8 X 1"	CR-CE	
1/4 X 3/4	CR-CF	



HEADED STUD CHUCKS

3/8 DIA. HEADED ANCHOR CHUCK (3/4" DIA. HEAD)

<u>PART NO.</u>	<u>DESCRIPTION</u>	<u>PRICE</u>
CH-037	COMPLETE ASSY.	
CH-037-1	SLEEVE ONLY	
CH-037-2	BASE ONLY	
CH-037-3	STOP SCREW	
SCREWS	10-32 X 3/8	

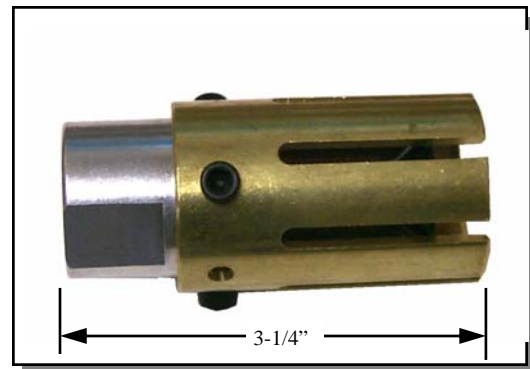


1/2 DIA. HEADED ANCHOR CHUCK (1" DIA. HEAD)

<u>PART NO.</u>	<u>DESCRIPTION</u>	<u>PRICE</u>
CH-050	COMPLETE ASSY.	
CH-050-1	SLEEVE ONLY	
CH-050-2	BASE ONLY	
CH-050-3	STOP SCREW	

5/8 & 3/4 DIA. HEADED ANCHOR CHUCK (1-1/4" DIA. HEAD)

<u>PART NO.</u>	<u>DESCRIPTION</u>	<u>PRICE</u>
CH-075	COMPLETE ASSY.	
CH-075-1	SLEEVE ONLY	
CH-075-2	BASE ONLY	
CH-075-3	STOP SCREW	



7/8 DIA. HEADED ANCHOR CHUCK (1-3/8" DIA. HEAD)

<u>PART NO.</u>	<u>DESCRIPTION</u>	<u>PRICE</u>
CH-087	COMPLETE ASSY.	
CH-087-1	SLEEVE ONLY	
CH-087-2	BASE ONLY	
CH-075-3	STOP SCREW	

1" DIA. HEADED ANCHOR CHUCK (1-5/8 DIA. HEAD)

<u>PART NO.</u>	<u>DESCRIPTION</u>	<u>PRICE</u>
CH-100	COMPLETE ASSY.	
CH-100-1	SLEEVE ONLY	
CH-100-2	BASE ONLY	
CH-075-3	STOP SCREW	
SCREWS	10-32 X 1/2	

SPECIAL CHUCKS / LEGS

Y ANCHOR CHUCKS



<u>ANCHOR SIZE</u>	<u>PART NO.</u>	<u>PRICE</u>
3/16	CY-018	
1/4	CY-025	
5/16	CY-031	

ARC STUD WELDING LEGS



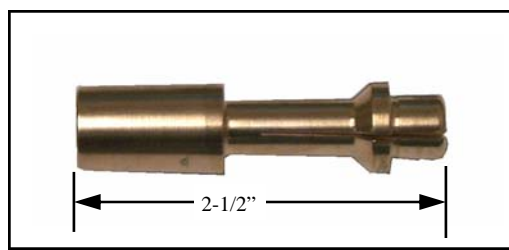
<u>LENGTH</u>	<u>DIA.</u>	<u>PART NO.</u>	<u>PRICE</u>
7"	5/16	L-03107	
9"	5/16	L-03109	
14"	5/16	L-03114	
18"	5/16	L-03118	
7"	3/8	L-03707	
9"	3/8	L-03709	
14"	3/8	L-03714	
18"	3/8	L-03718	
24"	3/8	L-03724	
27"	3/8	L-03727	
32"	3/8	L-03732	
36"	3/8	L-03736	
48"	3/8	L-03748	
5/16 LEG WASHER		L-031-1	
5/16 LEG SCREW		L-031-2	
3/8 LEG WASHER		L-037-1	
3/8 LEG SCREW		L-037-2	

BENT STUD CHUCK



<u>STUD DIA.</u>	<u>BEND</u>	<u>PART NO.</u>	<u>PRICE</u>
3/8	90 deg	CB-037-90	
3/8	45 deg	CB-037-45	
1/2	90 deg	CB-050-90	
1/2	45 deg	CB-050-45	
5/8	90 deg	CB-062-90	
5/8	45 deg	CB-062-45	
3/4	90 deg	CB-075-90	
3/4	45 deg	CB-075-45	

MALE CHUCKS



<u>HOLE SIZE</u>	<u>PART NO.</u>	<u>PRICE</u>
8/32	CX-008-32	
10-24	CX-010-24	
10-32	CX-010-32	
1/4-20	CX-025-20	
5/16-18	CX-031-18	
3/8-16	CX-037-16	
1/2-13	CX-050-13	
5/8-11	CX-062-11	
3/4-10	CX-075-10	
1/4	CX-025	
3/8	CX-037	

WELD THRU DECK ACCESSORIES

WELD THRU DECK FOOT ASSEMBLY



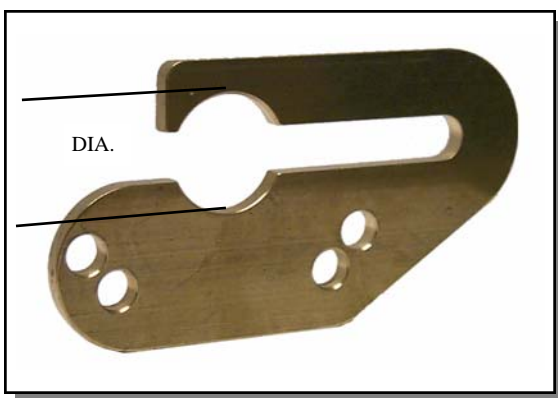
PART NO.	DESCRIPTION	PRICE
B-0021	FOOT ASSY.	
B-0021-1	FOOT ONLY	
B-0021-2	EXTENSION BAR	
B-0021-3	1/4-20 X 1 SCREWS	

WELD THRU DECK FERRULE HOLDER



PART NO.	DESCRIPTION	PRICE
B-0060-1	3/4 WTD/7/8 FLAT	
B-0060-2	3/4 FLAT	
B-0060-3	5/8 FLAT	
B-0060-4	1" FLAT	
B-0060-5	1/2 FLAT	

REFRACTORY FERRULE FOOT PLATE



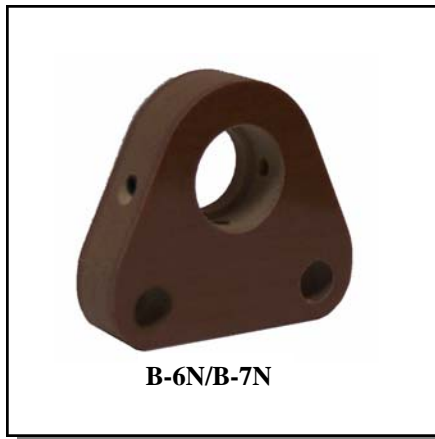
PART NO.	NECK DIA.	PRICE
QY-025-1	.810	
QY-025-2	.930	
QY-025-3	1.030	

HEAVY DUTY FERRULE GRIP



PART NO.	STUD DIA.	PRICE
GH-050	1/2	
GH-062	5/8	
GH-075	3/4	
GH-087	7/8	
GH-100	1	

CLOSED FEET



STANDARD CLOSED FEET

<u>GUN TYPE</u>	<u>STUD SIZE</u>	<u>PART NO.</u>	<u>PRICE</u>
PRO-WELD INT.	1/8-1/2	B-1N	
NELSON NS-20	1/8-1/2	B-1N	
NELSON NS-30	1/8-1/2	B-6N	
PRO-WELD INT.	5/8-3/4	B-2N	
NELSON NS-20	5/8-3/4	B-2N	
NELSON NS-30	5/8-3/4	B-7N	
PRO-WELD INT.	7/8-1"	B-3N	
NELSON NS-20	7/8-1"	B-3N	
BANTAM A-58	1/8-1/2	B-4N	
BANTAM A-58	5/8-3/4	B-5N	
PRO-WELD INT.	1/8-3/8	028-833	

SPLIT FEET



STANDARD SPLIT FEET

GUN TYPE	STUD SIZE	PART NO.	PRICE
PRO-WELD INT.	1/8-1/2	B-1C	
NELSON NS-20	1/8-1/2	B-1C	
NELSON NS-30	1/8-1/2	B-6C	
PRO-WELD INT.	5/8-3/4	B-2C	
NELSON NS-20	5/8-3/4	B-2C	
NELSON NS-30	5/8-3/4	B-7C	
PRO-WELD INT.	7/8-1"	B-3C	
NELSON NS-20	7/8-1"	B-3C	
BANTAM A-58	1/8-1/2	B-4C	
BANTAM A-58	5/8-3/4	B-5C	
BANTAM C-2	1/8-1/2	B-4CR (RECESSED)	
BANTAM C-2	5/8-3/4	B-5CR (RECESSED)	

SPECIAL FEET AND FERRULE PLATES

SPLIT BI-POD FEET

<u>STUD SIZE</u>	<u>PART NO.</u>	<u>PRICE</u>
1/8-1/2	BP-1C	
5/8-3/4	BP-2C	
7/8-1"	BP-3C	



CLOSED BI-POD FEET

<u>STUD SIZE</u>	<u>PART NO.</u>	<u>PRICE</u>
1/8-1/2	BP-1N	
5/8-3/4	BP-2N	
7/8-1"	BP-3N	



****NOTE: PLEASE SPECIFY GUN TYPE****

TWIN LEG FERRULE FOOT PLATE

<u>STUD SIZE</u>	<u>PART NO.</u>	<u>PRICE</u>
1/4	QN-025	
5/16	QN-031	
3/8	QN-037	
1/2	QN-050	
5/8	QN-062	
3/4	QN-075	
7/8	QN-087	
1"	QN-100	



SINGLE LEG FERRULE FOOT PLATE

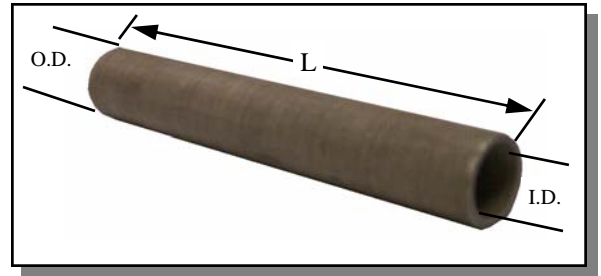
<u>STUD SIZE</u>	<u>PART NO.</u>	<u>PRICE</u>
1/4	QM-025	
3/8	QM-037	
1/2	QM-050	
5/8	QM-062	
3/4	QM-075	



SPECIAL ACCESSORIES

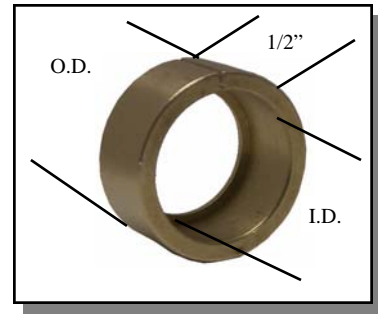
FERRULE TUBING

STUD SIZE	PART NO.	I.D.	O.D.	L	PRICE
#8	MP-015	.291	.360	36"	
#10	MP-018	.305	.375	36"	
1/4	MP-025	.380	.500	36"	
5/16	MP-031	.445	.562	36"	
3/8	MP-037	.505	.625	36"	
7/16	MP-043	.585	.687	36"	
1/2	MP-050	.650	.750	36"	
5/8	MP-062	.785	.906	36"	
3/4	MP-075	1.030	1.156	36"	



FERRULE TUBE BUSHING

STUD SIZE	PART NO.	I.D.	O.D.	PRICE
#8	MB-015	.360	.875	
#10	MB-018	.375	.875	
1/4	MB-025	.500	.875	
5/16	MB-031	.562	.875	
3/8	MB-037	.625	.875	
7/16	MB-043	.687	.875	
1/2	MB-050	.750	.875	
5/8	MB-062	.906	1.156	



GAS ADAPTOR FEET FOR ALUMINUM WELDING (SPECIFY GUN TYPE WHEN ORDERING)



PART NO. BG-1
PRICE:
USE WITH FERRULE
NELSON #751-929-999



PART NO. BG-2
PRICE:
USE WITHOUT FERRULE
NELSON P/N #751-022-000

FOOT ONLY BG-2-1
 SPARK SHIELD ONLY BG-2-2
 VALVE ASSY. BG-2-3



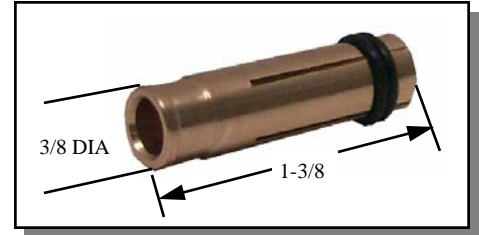
PART NO. BG-3
PRICE:

FOOT ONLY BG-3-1
 SPARK SHIELD ONLY BG-3-2
 HOSE CONNECTOR 119-0010

CAPACITOR DISCHARGE ACCESSORIES

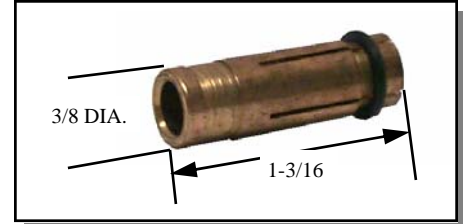
“B” COLLETS

<u>STUD DIA.</u>	<u>PART NO.</u>	<u>PRICE</u>
3 MM	CDB-003M	
14 GA	CDB-008	
12 GA & #4	CDB-010	
1/8 GA & #5	CDB-012	
10 GA & #6	CDB-013	
4 MM	CDB-004M	
#8	CDB-015	
#10	CDB-018	
5 MM	CDB-005M	
6 MM	CDB-006M	
.215	CDB-021	
1/4	CDB-025	
5/16	CDB-031	



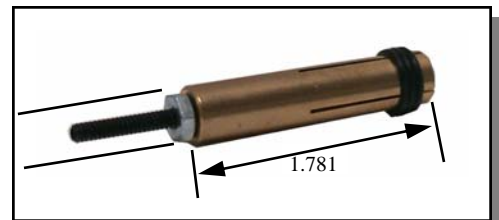
“B” COLLETS AGM STYLE

<u>STUD DIA.</u>	<u>PART NO.</u>	<u>PRICE</u>
14 GA	CDB-008A	
12 GA	CDB-010A	
#6	CDB-013A	
#8	CDB-015A	
#10	CDB-018A	
1/4	CDB-025A	



SOYER COLLETS

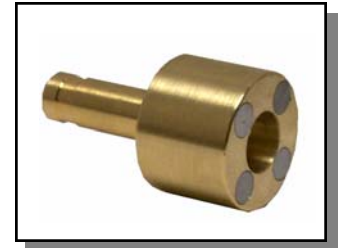
<u>STUD DIA.</u>	<u>PART NO.</u>	<u>PRICE</u>
#6	CDBS-013	
4 MM	CDBS-004M	
#8	CDBS-015	
#10	CDBS-018	
5 MM	CDBS-005M	
6 MM	CDBS-006M	
1/4	CDBS-025	



CAPACITOR DISCHARGE ACCESSORIES

ONE PIECE CONTACT/MAGNETIC CHUCK

PART NO.	PRICE
039-613	



MAGNETIC CHUCK

PART NO.	DESCRIPTION	PRICE
035-301	COMPLETE ASSY	
017-633	MAGNET ONLY	
029-615	CONDUCTOR PLATE	
039-609	INSUL. TUBE	
039-610	INSUL. DISC	
SCREW	10-32 X 7/8	



"B" COLLETS PROTECTOR

STUD SIZE	PART NO.	PRICE
14 GA X 12 GA	028-837	
10 GA	028-838	
BODY ONLY	028-836	
12 GA INSERT	028-834	
10 GA INSERT	028-835	



"B" STOP

STUD	STOP	PART NO.	PRICE
1/4	1-1/4	033-781	
3/8	1-1/8	033-782	
1/2	1"	033-783	
5/8	7/8	033-784	
3/4	3/4	033-785	
7/8	5/8	033-775	
1"	1/2	033-776	
1-1/8	3/8	033-777	
1-1/4	1/4	033-778	
1-3/8 (BUTTON STOP)	1/8	033-779	
UNIVERSAL		033-780	



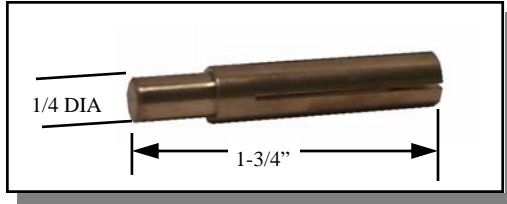
SHORT BUTTON STOP



UNIVERSAL "B" STOP

CAPACITOR DISCHARGE ACCESSORIES

COLLETS INSERTS FOR WELD STUDS



STUD DIA. X DEPTH	PART NO.	PRICE
#4 X 1/4	CI-010-025	
#4 X 3/8	CI-010-037	
#4 X 1/2	CI-010-050	
#4 X 1"	CI-010-100	
#6X 1/4	CI-013-025	
#6 X 3/8	CI-013-037	
#6 X 1/2	CI-013-050	
#6 X 5/8	CI-013-062	
#6 X 3/4	CI-013-075	
#6X 1"	CI-013-100	
10GA X 1/2	CI-014-050	
10GA X 3/4	CI-014-075	
10GA X 1	CI-014-100	
#8X 1/4	CI-015-025	
#8 X 3/8	CI-015-037	
#8 X 1/2	CI-015-050	
#8 X 5/8	CI-015-062	
#8 X 3/4	CI-015-075	
#8X 1"	CI-015-100	
#10 X 1/4	CI-018-025	
#10 X 3/8	CI-018-037	
#10 X 1/2	CI-018-050	
#10 X 5/8	CI-018-062	
#10 X 3/4	CI-018-075	
#10X 1"	CI-018-100	
1/4 X 1/4	CI-025-025	
1/4 X 3/8	CI-025-037	
1/4 X 1/2	CI-025-050	
1/4 X 5/8	CI-025-062	
1/4 X 3/4	CI-025-075	
1/4 X 1"	CI-025-100	
5/16 X 3/8	CI-031-037	
5/16 X 1/2	CI-031-050	
5/16 X 5/8	CI-031-062	
5/16 X 3/4	CI-031-075	
5/16 X 1"	CI-031-100	
3/8 X 1/2	CI-037-050	
3/8 X 3/4	CI-037-075	
3/8 X 1"	CI-037-100	

COLLETS INSERTS FOR WELD PINS



STUD DIA. X DEPTH	PART NO.	PRICE
12GA X 1/2	CIP-010-050	
12GA X 3/4	CIP-010-075	
12GA X 1"	CIP-010-100	
10GA X 1/2	CIP-014-050	
10GA X 3/4	CIP-014-075	

STANDARD SPARK SHIELD



STUD RANGE	PART NO.	PRICE
14 GA - #6	033-764	

VENTED SPARK SHIELD



STUD RANGE	PART NO.	PRICE
14 GA - 10 GA	033-769	

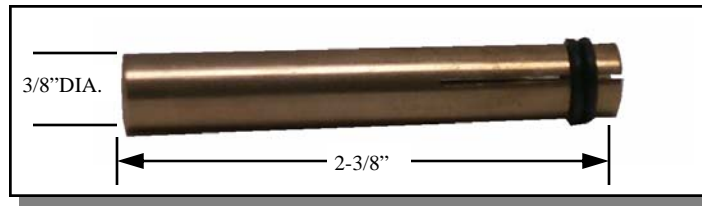
TEMPLATE TUBE ADAPTOR



TEMPLATE I.D.	PART NO.	PRICE
1" DIA.	039-839	
1-1/4" DIA.	039-840	

NELSON & KSM COLLETS

NELSON STYLE COLLETS



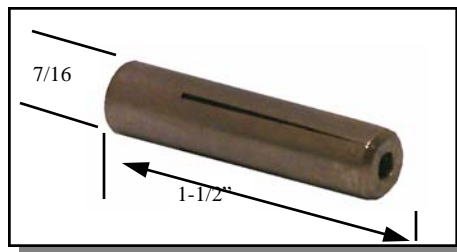
STUD SIZE	PART NO.	NELSON #	PRICE
#6	CDBN-013	500-001-356	
#8	CDBN-015	500-001-357	
#10	CDBN-018	500-001-366	
1/4	CDBN-025	500-001-359	
5/16	CDBN-031	500-001-360	
4 MM	CDBN-004M	500-001-361	
6 MM	CDBN-006M	500-001-362	
12 GA	CDBN-010	500-001-363	

NELSON ADJ. STOPS FOR ABOVE

STUD LENGTH	PART NO.	PRICE
1/4 TO 5/8	500-017-017	
3/4 TO 1-1/8	500-017-018	
1-1/4 TO 1-5/8	500-017-019	
1-3/4 TO 2-1/8	500-017-020	



KSM / ERICO AIR COLLET



BOTTOM LOAD

STUD DIA	PART NO.	PRICE
#4 (.112)	016-412	
#6 (.138)	016-415	
#8 (.164)	016-416	
#10 (.189)	004-684	

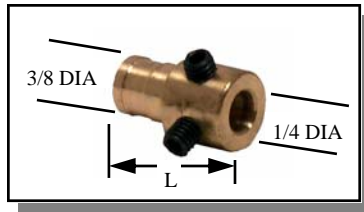
RAM FEED

STUD DIA	PART NO.	PRICE
#4 (.112)	025-016	
#6 (.138)	025-017	
#8 (.164)	025-018	
#10 (.189)	025-019	

NON-STOCK ITEM / ALLOW 2 WEEKS FOR DELIVERY

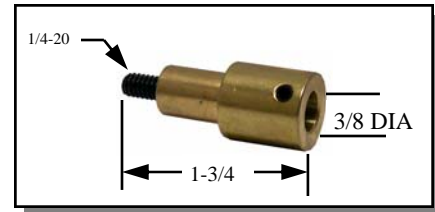
ADAPTORS

B-CI ADAPTOR



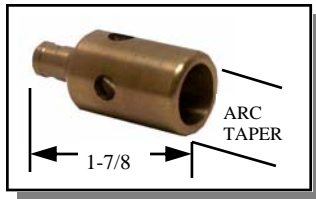
PARTNO.	PRICE
044-082	7/8 LONG
033-746	1-9/16 LONG

K-B ADAPTORS



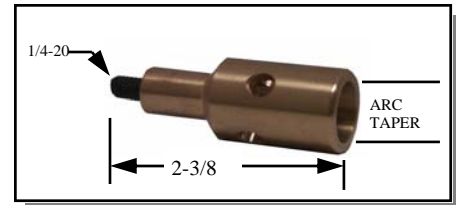
PART NO.	PRICE
039-464	

B-N ADAPTOR



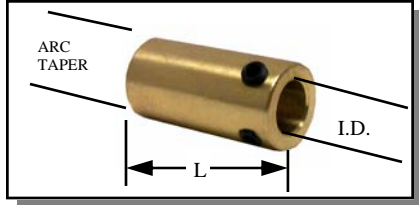
PART NO.	PRICE
039-468	

K-N ADAPTORS



PART NO.	PRICE
033-750	

ADAPTORS



PART NO	.I.D.	PRICE
044-083 N-B	3/8 ID	
044-084 N-C	1/4 ID	

MISCELLANEOUS ADAPTORS

PART NO.	DESCRIPTION	PRICE
MT-0008	TEMPLATE TUBE 1/4-1/2 ARC STUDS	
MT-0012	TEMPLATE TUBE 5/8-3/4 ARC STUDS	
033-505L	L-TEC CHUCK ADAPTOR	
033-749	K-CI ADAPTORS	
751-458-049	NS-30 CHUCK ADAPTORS	

THREADED TAPERED ADAPTORS



PART NO.	PRICE
MT-0003	

PART NO.	DESCRIPTION	PRICE
033-505	Chuck Adaptor	
033-506	Connector Stud	

WELD CABLE CONNECTORS

HEAVY DUTY HI TEMP CONNECTOR



<u>PART NO.</u>	<u>DESCRIPTION</u>	<u>PRICE</u>	<u>PART NO.</u>	<u>DESCRIPTION</u>	<u>PRICE</u>
107-0006	4/O (M) HI TEMP		107-0007	4/O (F) HI TEMP	
107-0006-1	4/O (M) SLEEVE		107-0007-1	4/O (F) SLEEVE	
107-0006-2	4/O BRASS ONLY		107-0007-2	4/O BRASS ONLY	
107-0007-MF	HI TEMP PIN COPPER WRAP	(FITS (M) OR (F))			

LIGHT DUTY CONNECTOR



<u>PART NO.</u>	<u>DESCRIPTION</u>	<u>PRICE</u>
107-0010	1/O (M) FIBER SHELL	
107-0011	1/O (F) FIBER SHELL	
107-0012	#4 (M) FIBER SHELL	

CONTROL CABLE CONNECTORS

CONTROL CABLE CONNECTOR



<u>PART NO.</u>	<u>DESCRIPTION</u>	<u>PRICE</u>
107-0014	MALE 4 POLE CONNECTOR	
107-0015	FEMALE 4 POLE CONNECTOR	
107-0001	PANEL MOUNT CONNECTOR	

HUBBELL STYLE CONNECTOR



<u>NELSON 2-WIRE (M)</u>	<u>PANEL MOUNT</u>	<u>PROWELD HUBBELL (M)</u>
--------------------------	--------------------	----------------------------

<u>PART NO.</u>	<u>DESCRIPTION</u>	<u>PRICE</u>
107-0016	NELSON 2-WIRE (M)	
107-0017	NELSON 2-WIRE (F)	
107-0018	NELSON 2-WIRE (PANEL MOUNT)	
107-0019	(M) RUBBER COVER	
107-0020	(F) RUBBER COVER	
107-0030	PROWELD HUBBELL (M)	
107-0032	PROWELD HUBBELL (F)	
107-0031	PROWELD HUBBELL (PANEL MOUNT)	

PANEL MOUNT CAMLOK CONNECTORS



<u>PART NO.</u>	<u>DESCRIPTION</u>	<u>PRICE</u>
107-0003	MALE PANEL MOUNT	
107-0002	FEMALE PANEL MOUNT	

WELD CABLE LUGS



<u>PART NO.</u>	<u>DESCRIPTION</u>	<u>PRICE</u>
123-0003	#4 W/#10 HOLE	
123-0001	#1 W/#10 HOLE	
123-0006	#1 W/1/4 HOLE	
123-0002	#1 W/3/8 HOLE	
123-0008	1/O W/3/8 HOLE	
123-0009	1/O W/1/2/ HOLE	
123-0013	4/O W/3/8 HOLE	
123-0010	4/O W/1/2/ HOLE	

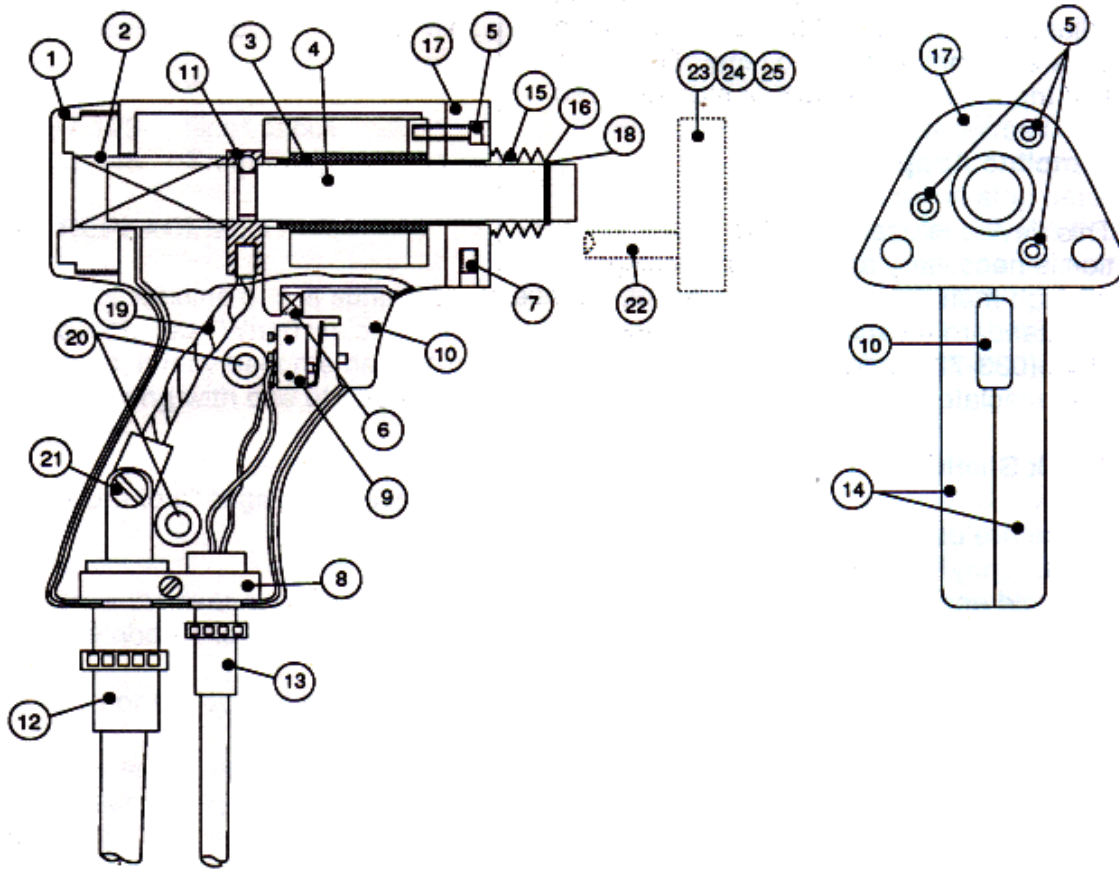
ACCESSORIES



<u>PART NO.</u>	<u>DESCRIPTION</u>	<u>PRICE</u>
102-0041	ALLEN WRENCH SET	
102-0042	CHUCK EJECTOR KEY	

LIGHT DUTY CD WELDING GUN

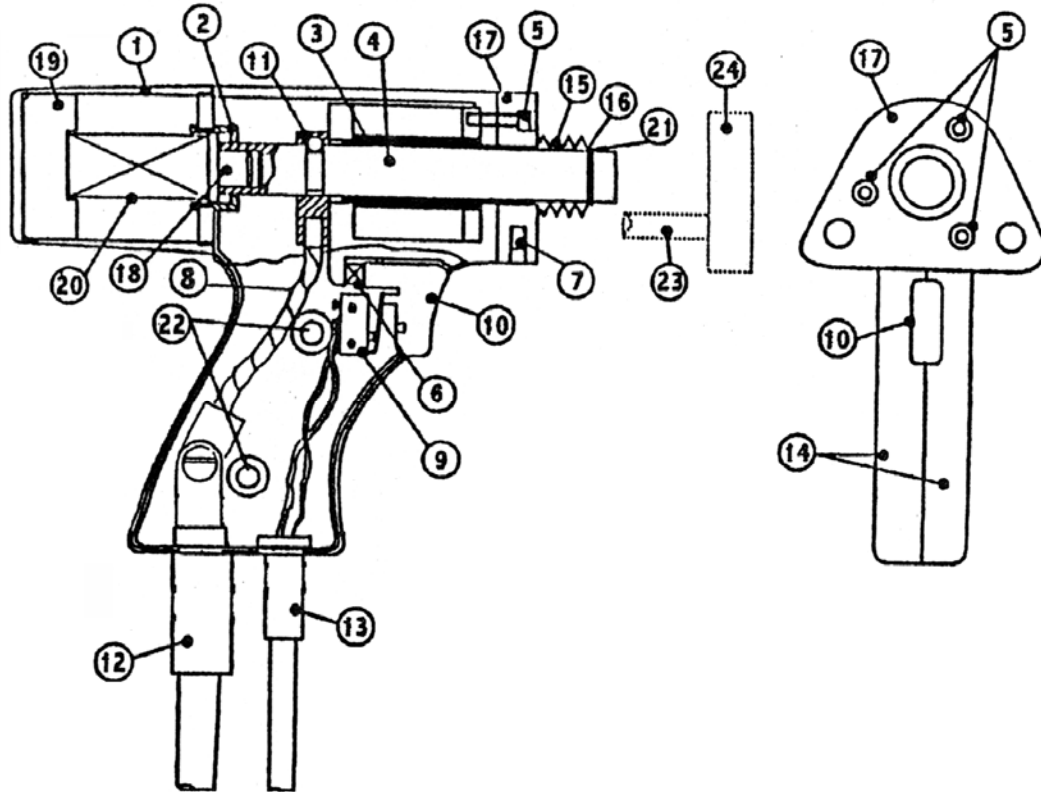
PART # 300-0100



ITEM	DESCRIPTION	PART NO.	LIST	ITEM	DESCRIPTION	PART NO.	LIST
1	REAR CAP	033-384		13	CONTROL CABLE 25'	033-658-25	
2	MAIN SPRING SILVER	001-800		14	STRAIN RELIEF BOOT	001-181	
	BLACK SPRING	001-801		15	GUN BODY ASSY	033-881	
	RED SPRING	001-802		16	SHAFT BELLOWS	033-445	
	COPPER SPRING	033-387		17	BOOT RETAINING RING	033-447	
3	SHAFT BEARING	033-610		18	FACE PLATE ASSY	033-665	
4	GUN SHAFT	033-799		19	SHAFT BOOT SNAP RING	033-446	
5	8-32 X 3/4 CAP SCREW	033-016		20	WELD PIGTAIL ASSY	033-608	
6	TRIGGER SPRING	033-38		21	10-32 X 3/4 PAN HEAD	018-375	
7	10-32 X 3/16 SET SCREW	049-995		22	10-32 X 1/2 PAN HEAD	016-876	
9	TRIGGER SWITCH	033-404		23	5/16 X 7" LEG ASSY	033-757	
10	TRIGGER BUTTON	033-381			5/16 X 12" LEG ASSY	033-757	
11	SHAFT BLOCK	036-496			FOOTPIECE MED. CLOSED	028-833	
12	#4 WELD CABLE ASSY (25FT)	033-662-25					

PRECISION LIGHT DUTY CD WELDING GUN

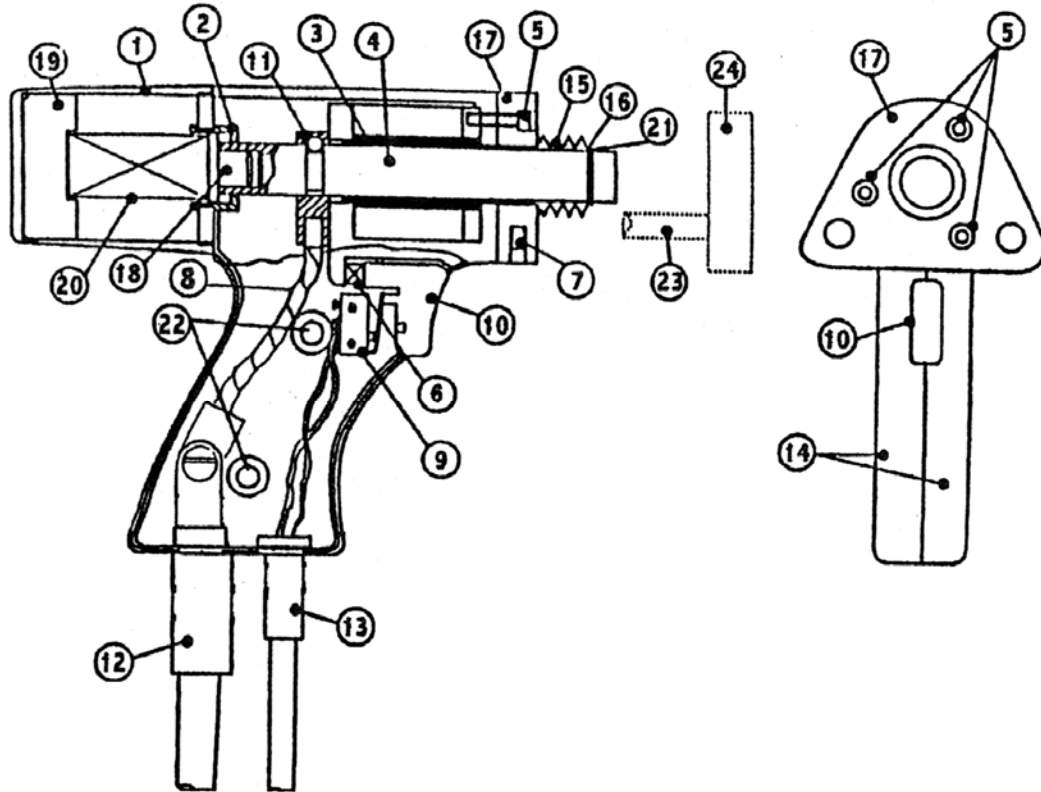
PART # 300-0102



ITEM	DESCRIPTION	PART NO.	LIST	ITEM	DESCRIPTION	PART NO.	LIST
1	REAR CAP MOLDED	036-473SW		13	CONTROL CABLE 25'	033-658SW	
2	BUSHING	033-467SW		14	GUN BODY (2 PCS MACHINED)	033-465SW	
3	BEARING ASSEMBLY	033-610SW		15	SHAFT BOOT	033-445	
4	SHAFT TUBE	033-799		16	SHAFT BOOT RETAINING RING	033-447	
5	#8-32 X 3/4" HEAD CAP SCREW	033-016		17	FACEPLATE	033-665	
6	TRIGGER SPRING	033-382		18	SHAFT PLUG	033-468	
7	#10-32 X 3/16" HEAD STE SCREW	049-995		19	INSERT-REAR CAP SPACER	033-469	
8	WELD PIGTAIL	033-608		20	MAIN SPRING SILVER	001-800	
9	TRIGGER SWITCH	033-404		21	SHAFT BOOT SNAP RING	033-446	
10	TRIGGER BUTTON MOLDED	033-381SW		22	#10-32 X 3/4" SCREW	018-375	
11	SHAFT BLOCK	036-496SW		23	7" X 5/16 STD. ADJ. LEG	033-757	
12	WELD CABLES 25' #4	033-662-25		24	FOOTPIECE MED. CLOSED	028-833	

PRECISION HEAVY DUTY CD WELDING GUN

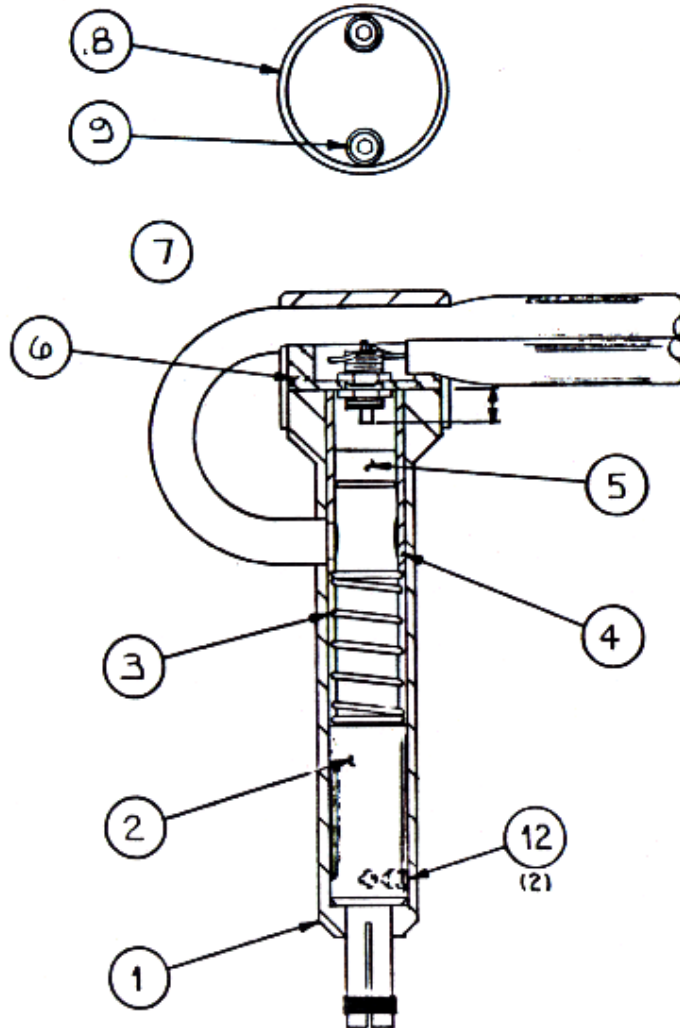
PART # 300-0202



ITEM	DESCRIPTION	PART NO.	LIST	ITEM	DESCRIPTION	PART NO.	LIST
1	REAR CAP MOLDED	036-473SW		13	CONTROL CABLE 25'	033-658SW	
2	BUSHING	033-467SW		14	GUN BODY (2 PCS MACHINED)	033-465SW	
3	BEARING ASSEMBLY	033-610SW		15	SHAFT BOOT	033-445	
4	SHAFT TUBE	033-799		16	SHAFT BOOT RETAINING RING	033-447	
5	#8-32 X 3/4" HEAD CAP SCREW	033-016		17	FACEPLATE	033-665	
6	TRIGGER SPRING	033-382		18	SHAFT PLUG	033-468	
7	#10-32 X 3/16" HEAD STE SCREW	049-995		19	INSERT-REAR CAP SPACER	033-469	
8	HEAVY DUTY PIGTAIL	033-608SW		20	MAIN SPRING BLACK	001-801	
9	TRIGGER SWITCH	033-404		21	SHAFT BOOT SNAP RING	033-446	
10	TRIGGER BUTTON MOLDED	033-381SW		22	#10-32 X 3/4" SCREW	018-375	
11	SHAFT BLOCK	037-129SW		23	7" X 5/16 STD. ADJ. LEG	033-757	
12	WELD CABLES 25' #2	033-662-25H		24	FOOTPIECE MED. CLOSED	028-833	

SLIM-LINE CD WELDING GUN

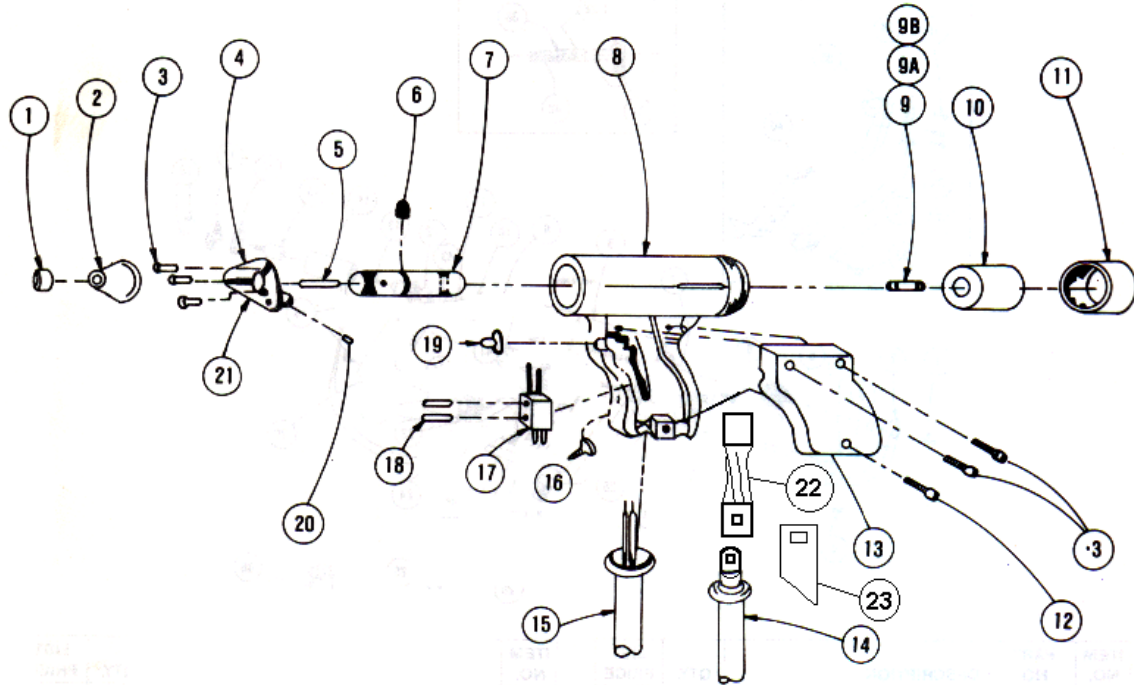
PART # 300-0400



ITEM	DESCRIPTION	PART NO.	LIST
1	GUN BODY	033-457	
2	GUN SHAFT	033-458	
3	MAIN SPRING	033-464	
4	SPACER	048-312	
5	NYLON SLUG	048-314	
6	SWITCH PLATE	048-313	
7	SWITCH ASSY	031-196	
8	END CAP	033-463	
9	10-32 X 1" SCREW	015-680	
10	CONTROL CABLE ASSY	036-900	
11	WELD CABLE ASSY	033-663	
12	10-32 X 3/8 SET SCREW (2)	034-477	

C-2 BANTAM CD WELDING GUN

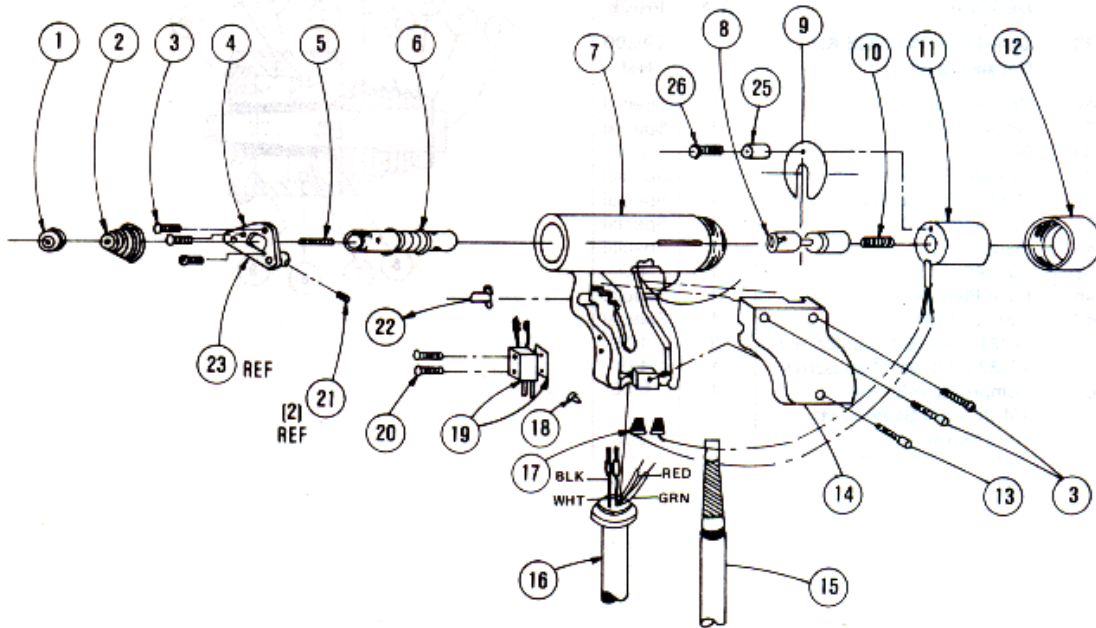
PART # 300-0301



ITEM	DESCRIPTION	PART NO.	LIST	ITEM	DESCRIPTION	PART NO.	LIST
1	BELLOWS RETAINER	001-816		12	10-24 X 3/4 SOCKET CAP SCREW		
2	BELLOWS	003-499		13	HANDLE COVER	016-384	
3	10-24 X 1/2 SOCKET CAP SCREW			14	WELD CABLE ASSY (25FT)	015-793-25	
4	FACE PLATE ASSY (TWIN LEG)	003-500		15	CONTROL CABLE ASSY (25FT)	015-809-25	
5	5/16-18 X 1-3/4 SET SCREW	016-405		16	HANDLE POST NUT	002-906	
6	SPINDLE ASSY (TAPERED CHUCK)	015-805		17	TRIGGER SWITCH	015-807	
7	GUN BODY	016-383		18	5-40 X 5/8 PAN HEAD SCREW		
8	MAIN SPRING SILVER	001-800		19	TRIGGER BUTTON	006-586	
9A	MAIN SPRING BLACK	001-801		20	5/16-24 X 5/16 SET SCREW		
9B	MAIN SPRING RED	001-802		21	FACE PLATE BUSHING	003-501	
10	SPRING PLUG	022-357		22	INTERNAL WELD CABLE	602-056B	
11	BACK CAP	015-803		23	CABLE MOUNTING LUG	029-039	

A-58 BANTAM LIGHT DUTY ARC WELDING GUN

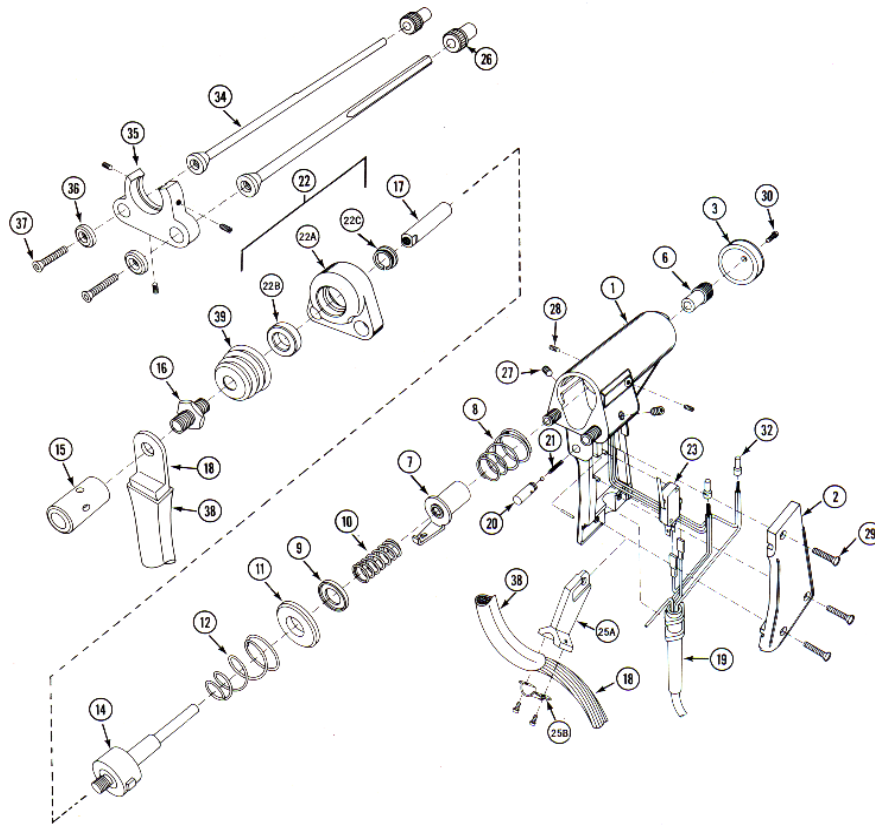
PART # 300-0303



ITEM	DESCRIPTION	PART NO.	LIST	ITEM	DESCRIPTION	PART NO.	LIST
1	BELLOWS RETAINER	001-816		14	HANDLE COVER	016-384	
2	BELLOWS	003-499		15	WELD CABLE ASSY (10FT)	015-793	
3	10-24 X 1/2 SOCKET CAP SCREW			16	CONTROL CABLE ASSY (10FT)	015-809	
4	FACE PLATE ASSY	003-500		17	WIRE NUTS	002-480	
5	5/16-18 X 1-3/4 SET SCREW	016-405		18	HANDLE POST NUT	002-906	
6	SPINDLE ASSY	015-792		19	TRIGGER SWITCH	015-807	
7	GUN BODY	016-383		20	5-40 X 5/8 PAN HEAD SCREW		
8	LIFTING ASSY	015-791		21	5/16-24 X 5/16 SET SCREW		
9	SPLIT WASHER	001-332		22	TRIGGER BUTTON	006-586	
10	SOLENOID SPRING	001-337		23	FACE PLATE BUSHING	003-501	
11	SOLENOID	015-797		25	SPACER	023-356	
12	BACK CAP	015-803		26	6-32 X 1/2 SOCKET CAP SCREW		
13	10-24 X 3/4 SOCKET SET SCREW						

LIGHT DUTY ARC WELDING GUN

PART # 300-0500

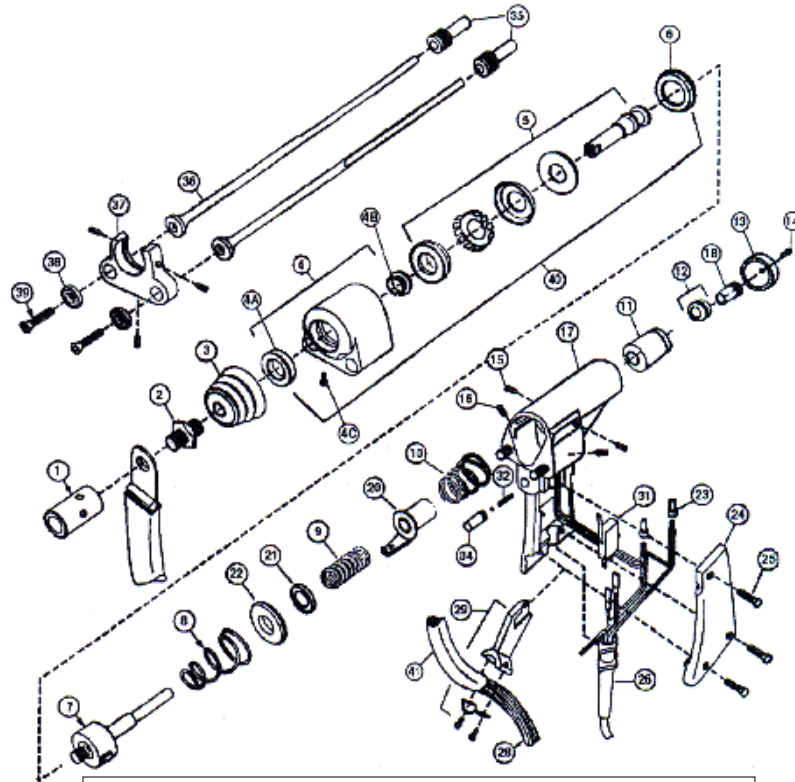


****** PARTS AVAILABLE ONLY ******

ITEM	DESCRIPTION	PART NO.	LIST	ITEM	DESCRIPTION	PART NO.	LIST
1	GUN BODY ASSY	034-868		22	FRONT CAP ASSY	039-051	
2	HANDLE COVER	033-513		22B	FRONT SEAL	033-492	
3	REAR CAP	033-493		22C	FRONT BEARING	033-491	
	COIL ASSY	044-021		23	TRIGGER SWITCH	033-377	
	REAR COIL YOKE	033-720		24	TRIGGER PIN	037-175	
6	LIFT ADJ. SCREW	033-510		25	EXT. BAR ASSY	033-477	
7	ARMATURE ASSY	043-889			EXTENSION BAR	033-471	
8	ARMATURE SPRING	033-502			8-32 X 1/2 CAP SCREW		
9	LIFTING RING	033-501			CABLE CLAMP	033-486	
10	LIFTING RING SPRING	033-503		26	END CAP NUT	033-481	
11	LIFTING RING STOP	033-500		27	5/16-18 X 3/8 SCREW	037-557	
12	MAIN SPRING	033-504		28	#10-32 X 3/8 SCREW	037-563	
14	LIFTING ROD	034-870		29	#10-32 X 7/8 SCREW	037-530	
15	CHUCK ADAPTOR	033-505		30	8-32 X 5/8 PAN HEAD SCREW	037-521	
16	CONNECTOR STUD	033-506		32	WIRE NUT	042-790	
17	EXTENSION SHAFT	033-507		34	3/8 X 9" LEG	L-03709	
18	WELD CABLE ASSY	036-904		35	SMALL SPLIT FOOT	B-1C	
19	CONTROL CABLE ASSY	036-897		36	LEG WASHER	L-037-1	
	STRAIN RELIEF	036-897-1		37	1/4-20 X 1-1/4" SCREW	L-037-2	
20	TRIGGER BUTTON	033-514		38	WELD CABLE BOOT	036-904-1	
21	TRIGGER SPRING	033-509		39	BELLOWS	033-512	

HEAVY DUTY ARC WELDING GUN

PART # 300-0600

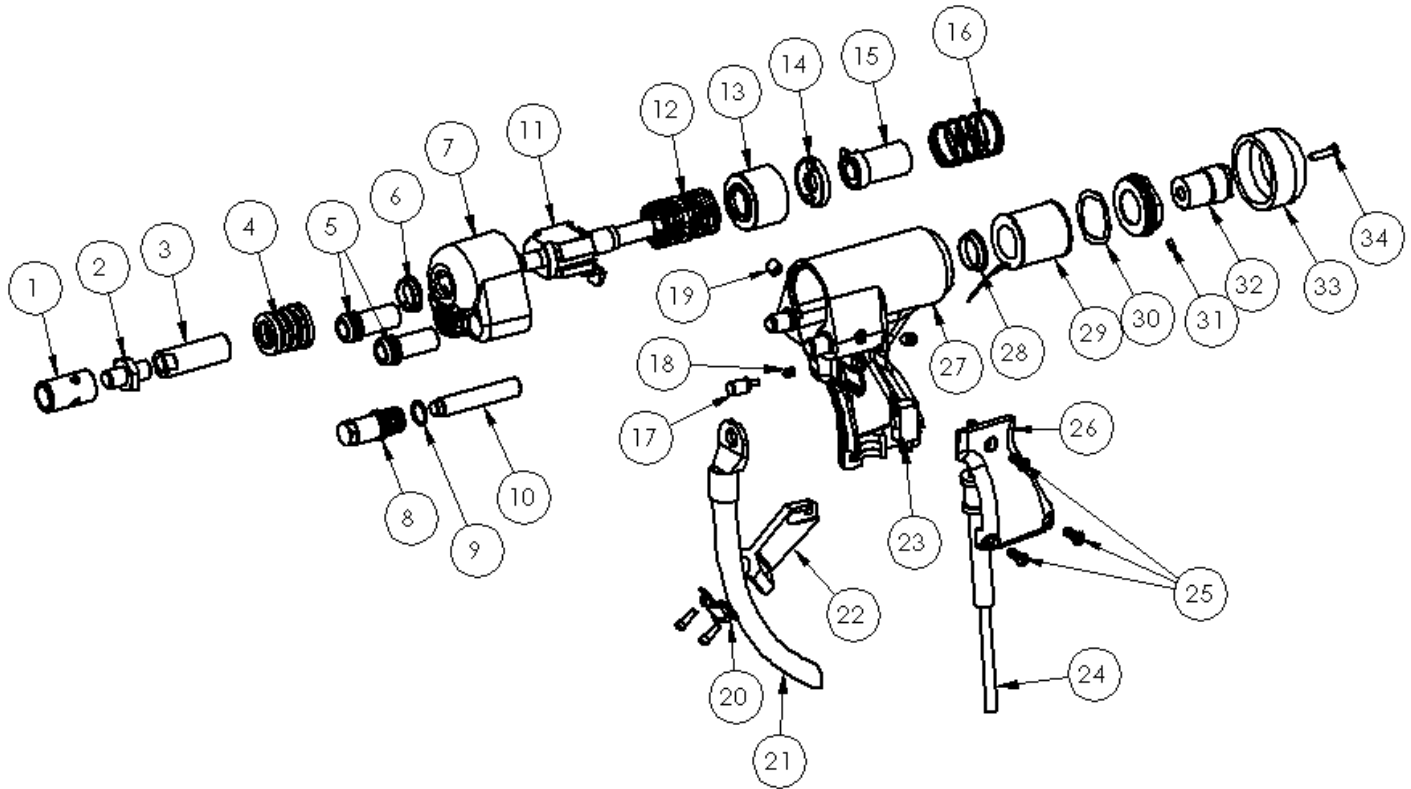


****** PARTS AVAILABLE ONLY ******

ITEM	DESCRIPTION	PART NO.	LIST	ITEM	DESCRIPTION	PART NO.	LIST
1	CHUCK ADAPTOR	033-505		18	LIFT ADJ. SCREW	033-510	
2	CONNECTOR STUD	033-506		20	ARMATURE ASSY	043-889	
3	BELLOWS	033-512		21	LIFTING RING	033-501	
4	FRONT CAP ASSY	039-052		22	LIFTING RING STOP	033-500	
4A	FRONT SEAL	033-488		23	WIRE NUT	042-790	
4B	FRONT BEARING	033-491		24	HANDLE COVER	033-513	
4C	DAMPENING VALVE	033-489		25	10-32 X 7/8 SCREW	037-530	
5	SHAFT EXT. ASSY	033-618		26	CONTROL CABLE ASSY	036-897	
5A	SHAFT RETAINING RING	033-495			STRAIN RELIEF BOOT	036-897-1	
5B	EXPANDER	033-496		28	WELD CABLE ASSY	044-059	
5C	BACKING RING	033-497		29	EXT. BAR ASSY	033-477	
5D	PISTON CUP SEAL	033-498			EXTENSION BAR	033-471	
5E	EXTENSION SHAFT	033-499			CABLE CLAMP	033-486	
6	FRONT CAP INSERT	033-494			8-32 X 1/2 CAP SCREW		
7	LIFTING ROD ASSY	034-870		31	TRIGGER SWITCH	033-377	
8	MAIN SPRING	033-504		32	TRIGGER SPRING	033-509	
9	LIFTING RING SPRING	033-503		33	TRIGGER PIN 3/32 X 5/8	037-175	
10	ARMATURE SPRING	033-502		34	TRIGGER BUTTON	033-514	
11	COIL ASSY	044-021		35	END CAP NUTS	033-482	
12	REAR COIL YOKE	033-720		36	LEG ASSY 3/8 X 14"	L-03714	
13	REAR CAP	033-493		37	MEDIUM SPLIT FOOT	B-2C	
14	8-32 X 5/8 PAN HEAD SCREW	037-521		38	LEG WASHERS	L-037-1	
15	10-32 X 3/8 SET SCREW	037-563		39	LEG SCREW 1/4-20 X 1-1/4	L-037-2	
16	5-16-18 X 3/8 SET SCREW	037-557		40	PLUNGE DAMP. ASSY	033-619	
17	GUN BODY ASSY	034-868		41	WELD CABLE BOOT	044-059-1	

HEAVY DUTY ARC WELDING GUN

PART # 300-0601

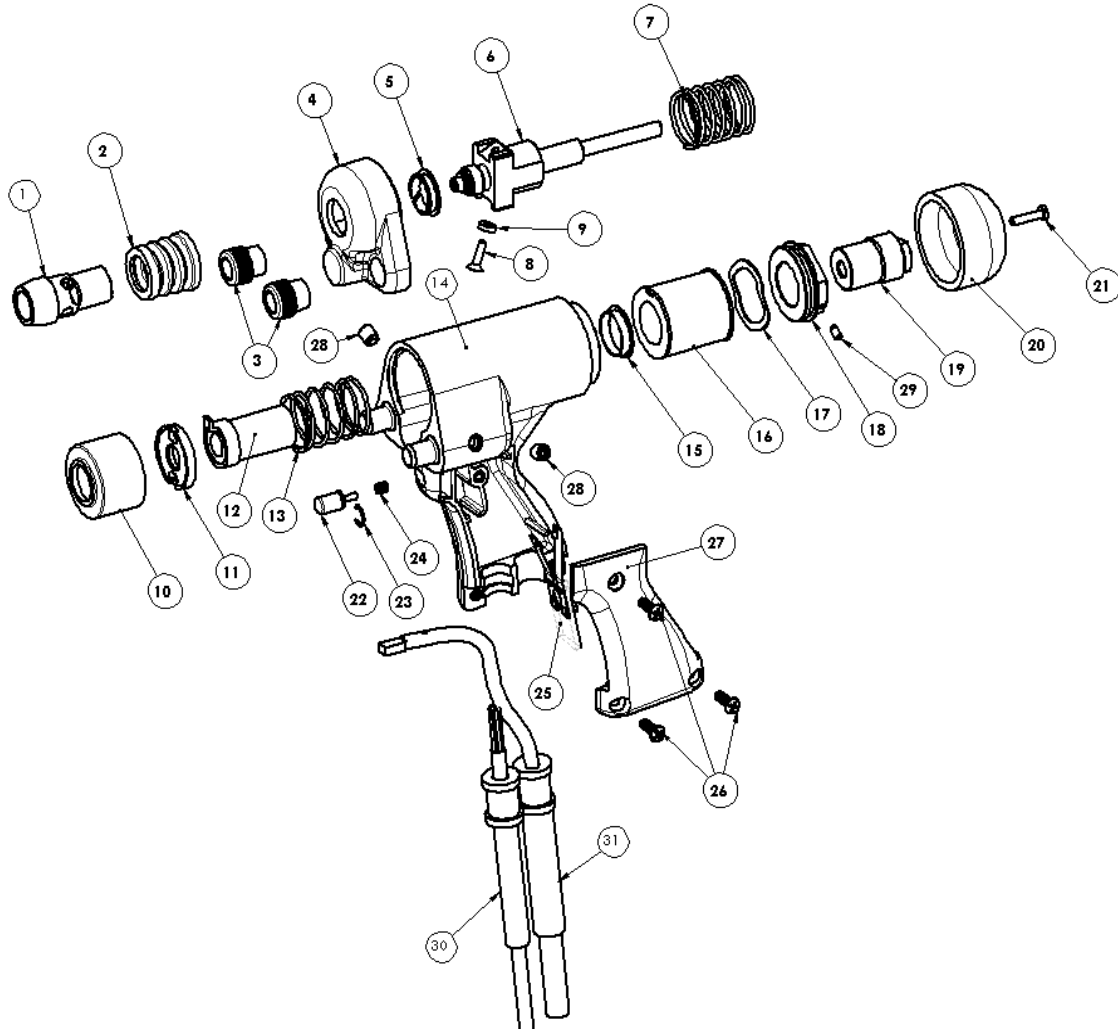


****** PARTS AVAILABLE ONLY ******

ITEM	DESCRIPTION	PART NO.	LIST	ITEM	DESCRIPTION	PART NO.	LIST
1	CHUCK ADAPTOR	033-505		19	5/16 X 3/8 SET SCREW	037-557	
2	CONNECTOR STUD	033-506		20	CABLE CLAMP	033-486	
3	SHAFT EXTENSION	033-507		21	WELD CABLE ASSY	044-059	
4	BELLOWS	301-0018			WELD CABLE BOOT	044-059-1	
5	END CAP NUTS	033-482		22	EXT. BAR	033-471	
6	FRONT BEARING	033-491			EXT.BAR ASSY	033-477	
7	FRONT CAP ASSY	301-0002		23	TRIGGER SWITCH	033-377	
	FRONT SEAL	033-488		24	CONTROL CABLE ASSY	036-897	
8	DAMPER HOUSING	301-0020			STRAIN RELIEF BOOT	036-897-1	
9	O-RING	102-0115		25	10-32 X 7/8 OVAL HEAD SCREW	037-530	
10	SPRING RETURN DAMPER	301-0021		26	HANDLE COVER	033-513	
11	LIFTING ROD ASSY	301-0003A		27	GUN BODY	301-0001	
12	MAIN SPRING	301-0017		28	COIL YOKE BEARING	301-0009	
13	LIFT STOP HOUSING	301-0019		29	GUN COIL	105-0024	
14	LIFTING RING	301-0014		30	WAVE WASHER	102-0117	
15	MOVEABLE CORE	301-0013		31	REAR COIL YOKE	301-0016	
16	CORE SPRING	301-0012			8-32 X 1/4 SET SCREW	115-0010	
17	TRIGGER BUTTON	033-514		32	ADJUSTABLE CORE	301-0008	
18	TRIGGER SPRING	033-509		33	REAR CAP	033-493	
				34	8/32 X 5/8 PAN HEAD SCREW	037-521	

LIGHT DUTY ARC WELDING GUN

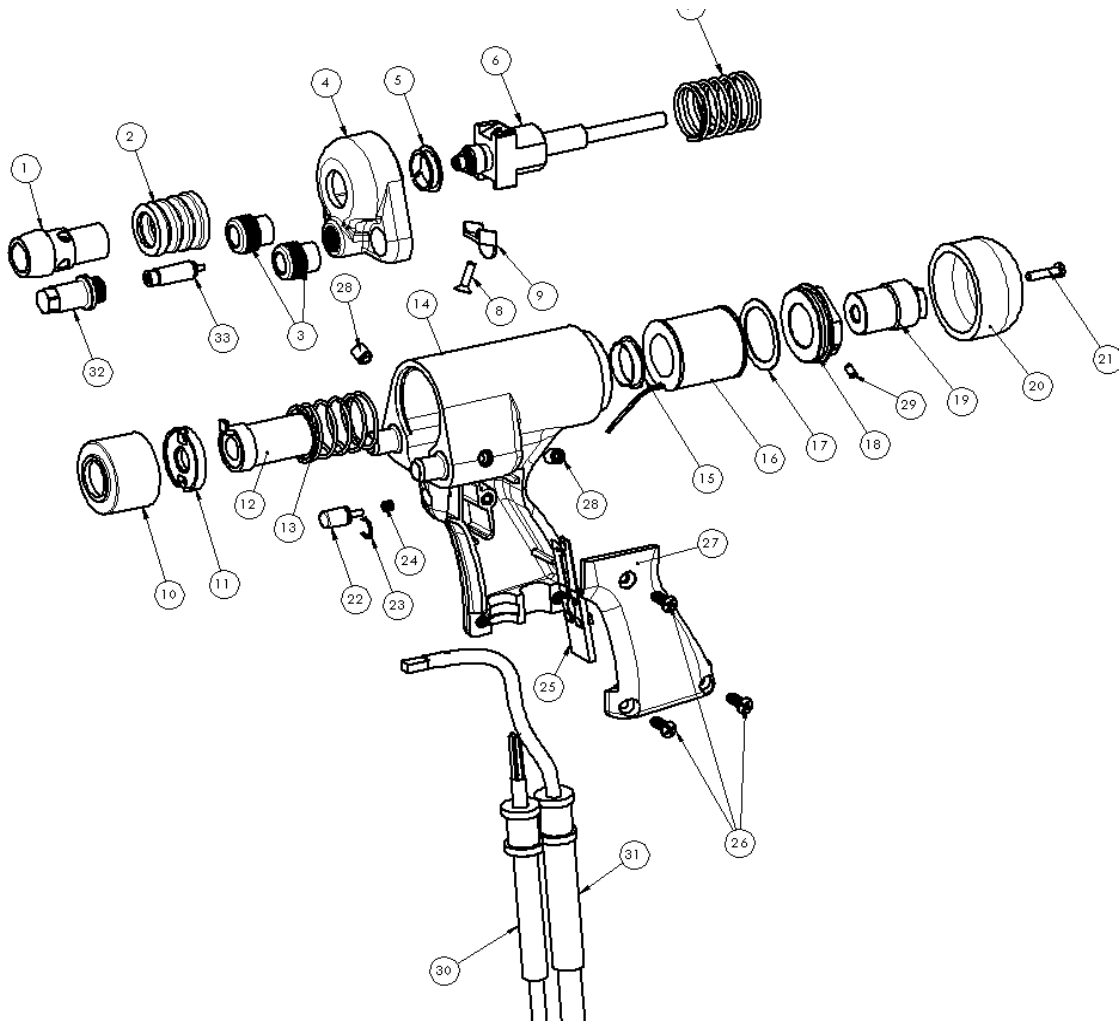
PART # 300-0800



ITEM	DESCRIPTION	PART NO.	LIST	ITEM	DESCRIPTION	PART NO.	LIST
1	CHUCK ADAPTER	302-0026		17	WAVE WASHER	102-0117	
2	BELLOW	302-0014		18	YOKE, REAR COIL	301-0016	
3	NUT, END CAP	033-481		19	ADJUSTABLE CORE	301-0008	
4	FRONT CAP, L.D.	302-0004		20	REAR CAP	033-493	
5	BEARING	033-491		21	SCREW, #8-32 X 3/4 PAN HD	037-521	
6	LIFTING ROD ASM.	302-0012		22	TRIGGER BUTTON	302-0013	
7	SPRING, MAIN	302-0017		23	SNAP RING	302-0023	
8	SCREW, #8-32 X 3/8	115-0011		24	SPRING, TRIGGER	302-0016	
9	WASHER	302-0025		25	TRIGGER SWITCH ASM	302-0010	
10	LIFT STOP HOUSING	301-0019		26	SCREW, #10-32 X 1/2 OVAL	115-0009	
11	LIFTING RING	301-0014		27	HANDLE COVER	302-0009	
12	MOVEABLE CORE	301-0013		28	SCREW, 5/16-18 X 3/8 SET	037-557	
13	SPRING, CORE	301-0012		29	SCREW, #8-32 X 1/4 SET	115-0010	
14	GUN BODY	302-0001		30	CONTROL CABLE ASM	302-0028	
15	COIL YOKE BEARING	301-0009		31	WELD CABLE ASM	302-0029	
16	COIL, GUN	105-0024					

LIGHT DUTY ARC WELDING GUN

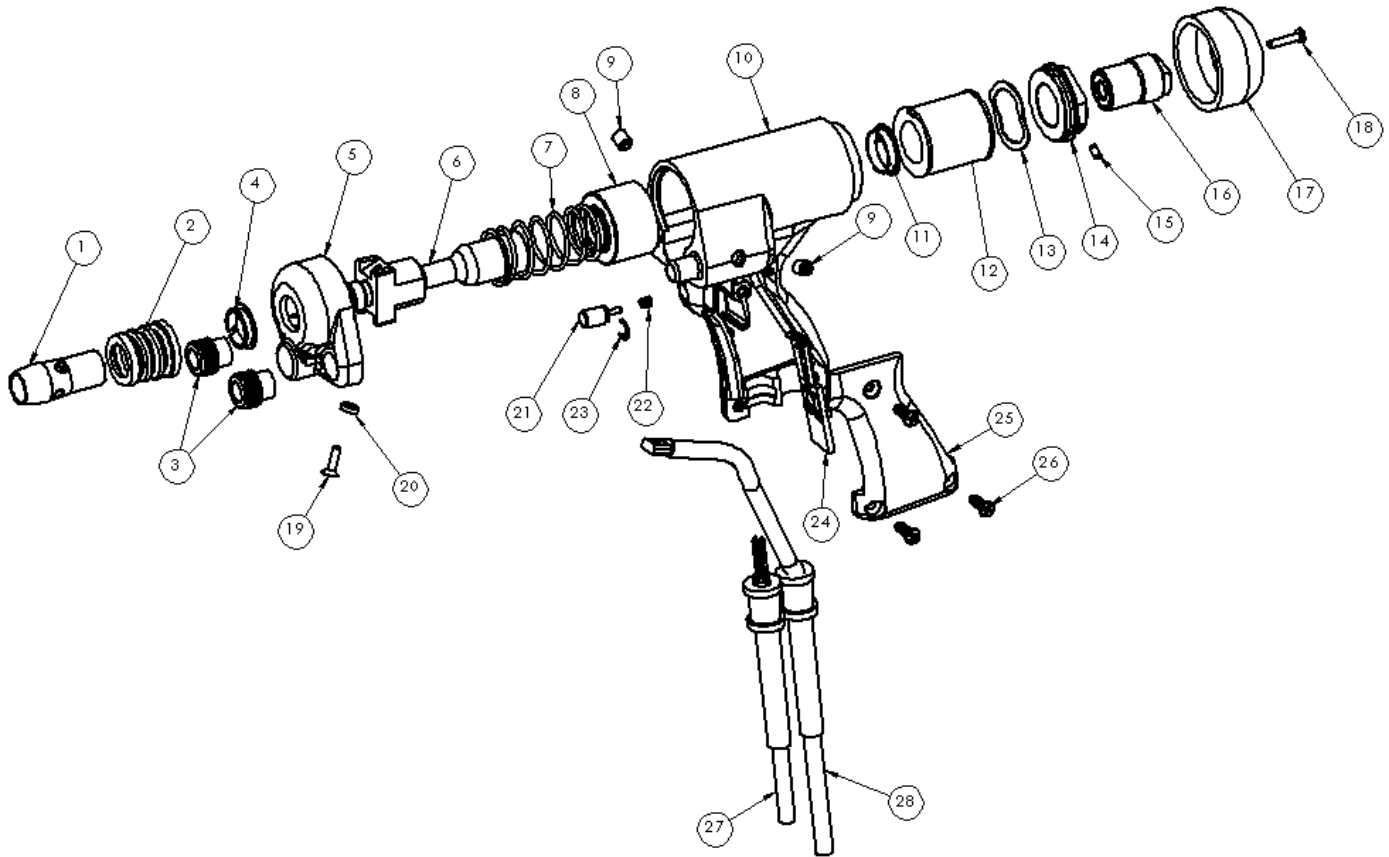
PART # 300-0801



ITEM	DESCRIPTION	PART NO.	LIST	ITEM	DESCRIPTION	PART NO.	LIST
1	CHUCK ADAPTER	302-0026		18	YOKE, REAR COIL	301-0016	
2	BELLOW	302-0014		19	ADJUSTABLE CORE	301-0008	
3	NUT, END CAP	033-481		20	REAR CAP	033-493	
4	FRONT CAP,	302-0003		21	SCREW, #8-32 X 3/4 PAN HD	037-521	
5	BEARING	033-491		22	TRIGGER BUTTON	302-0013	
6	LIFTING ROD ASM.	302-0012		23	SNAP RING	302-0023	
7	SPRING, MAIN	302-0017		24	SPRING, TRIGGER	302-0016	
8	SCREW , #8-32 X 3/8	115-0011		25	TRIGGER SWITCH ASM	302-0010	
9	DAMPER STOP	302-0021		26	SCREW, #10-32 X 1/2 OVAL	115-0009	
10	LIFT STOP HOUSING	301-0019		27	HANDLE COVER	302-0009	
11	LIFTING RING	301-0014		28	SCREW, 5/16-18 X 3/8 SET	037-557	
12	MOVEABLE CORE	301-0013		29	SCREW, #8-32 X 1/4 SET	115-0010	
13	SPRING, CORE	301-0012		30	CONTROL CABLE ASM	302-0028	
14	GUN BODY	302-0001		31	WELD CABLE ASM	302-0029	
15	COIL YOKE BEARING	301-0009		32	DAMPER COVER	302-0011	
16	COIL, GUN	105-0024		33	DAMPER	302-0007	
17	WAVE WASHER	102-0117					

LIGHT DUTY SET LIFT ARC WELDING GUN

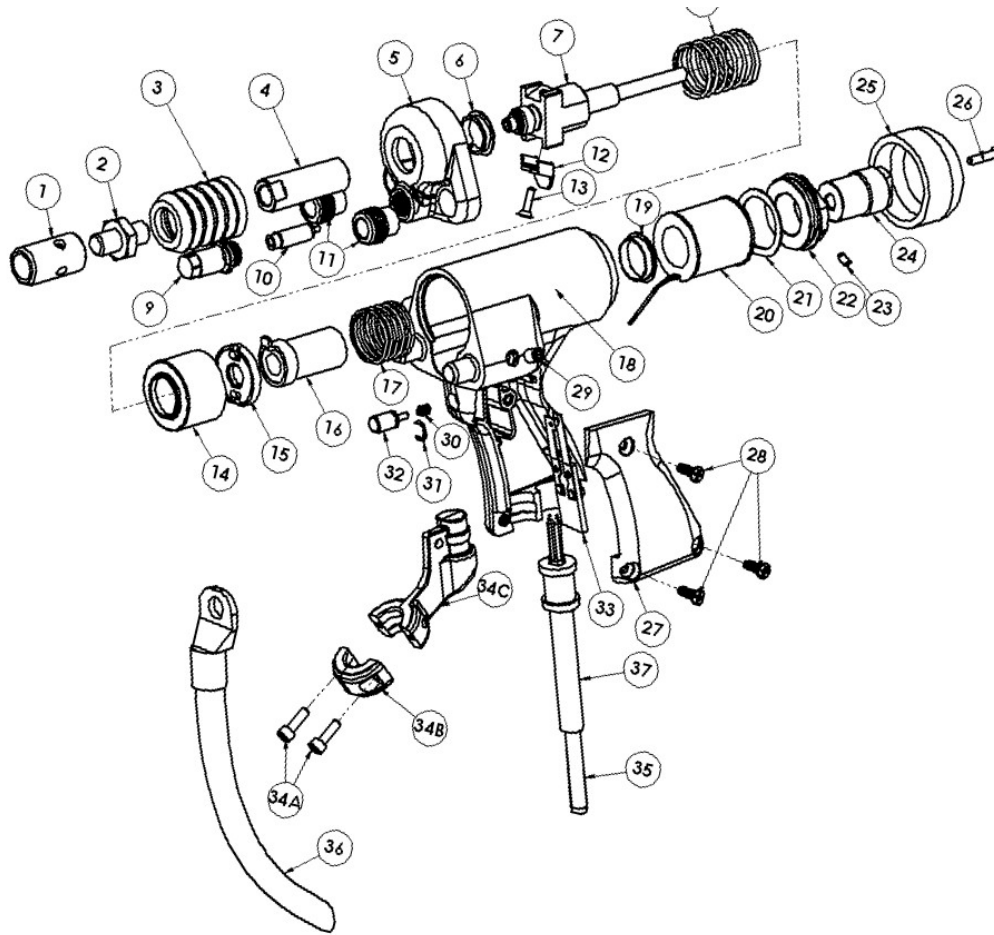
PART # 300-0804



ITEM	DESCRIPTION	PART NO.	LIST	ITEM	DESCRIPTION	PART NO.	LIST
1	CHUCK ADAPTOR	302-0026		15	SCREW, #8-32 X 1/4 SET	115-0010	
2	BELLOWS	302-0014		16	ADJUSTABLE CORE	302-0033	
3	NUT, END CAP	033-481		17	REAR CAP	033-493	
4	BEARING	033-491		18	SCREW, #8-32 X 3/4 PAN HD	037-521	
5	FRONT CAP, L.D.	302-0004		19	SCREW, #8-32 x 3/8	115-0011	
6	LIFTING ROD ASM.	302-0034		20	WASHER	302-0025	
7	SPRING, MAIN	302-0017		21	TRIGGER BUTTON	302-0013	
8	LIFT STOP HOUSING	301-0019		22	SPRING, TRIGGER	302-0016	
9	SCREW 5/16-18 X 3/8 SET	037-557		23	SNAP RING	302-0023	
10	GUN BODY	302-0001		24	TRIGGER SWITCH ASM	302-0010	
11	COIL YOKE BEARING	301-0009		25	HANDLE COVER	302-0009	
12	COIL, GUN	105-0024		26	SCREW, #10-32 X 1/2 OVAL	115-0009	
13	WAVE WASHER	102-0117		27	CONTROL CABLE ASSY 25'	302-0027	
14	YOKE, REAR COIL	301-0016		28	WELD CABLE ASSY 25'	302-0032	

MEDIUM DUTY ARC WELDING GUN

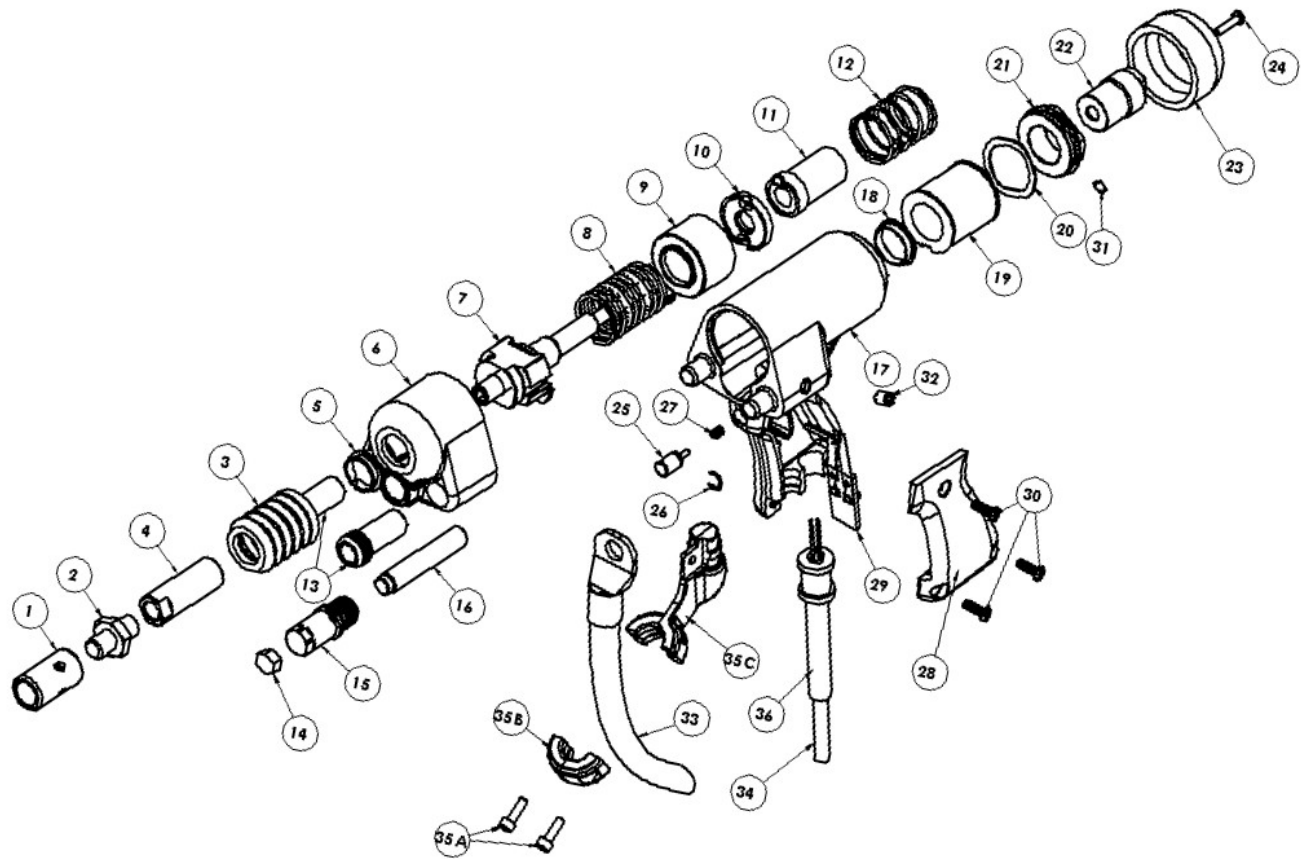
PART # 300-0805



ITEM	DESCRIPTION	PART NO.	LIST	ITEM	DESCRIPTION	PART NO.	LIST
1	CHUCK ADAPTOR	033-505		21	WAVE WASHER	102-0117	
2	CONNECTOR STUD	033-506		22	REAR COIL YOKE	301-0016	
3	BELLOWS	301-0018		23	SCREW, #8-32 X 1/4 SET	115-0010	
4	SHAFT EXT.	302-0036		24	LIFT ADJ. SCREW	301-0008	
5	FRONT CAP	302-0003		25	REAR CAP	033-493	
6	NYLON BEARING.	033-491		26	SCREW, #8-32 X 3/4 PAN HD.	037-521	
7	LIFTING ROD	302-0012		27	HANDLE COVER	302-0009HD	
8	SPRING,MAIN	302-0017		28	SCREW, #10-32 X 1/2 OVAL HD	115-0009	
9	DAMPER COVER	302-0011		29	SCREW, 5/16-18 X 3/8 SET	037-557	
10	DAMPER	302-0007		30	SPRING, TRIGGER	302-0016	
11	NUT, END CAP	033-481		31	SNAP RING	302-0023	
12	DAMPER STOP	302-0021		32	TRIGGER BUTTON	302-0013	
13	SCREW, #8-32 X 3/8 FSCS	115-0011		33	TRIGGER SWITCH ASSY	302-0010	
14	LIFT HOUSING	301-0019		34	CABLE GUIDE ASSY	303-0009	
15	LIFTING RING	301-0014		34A	SCREW, #10-32 X .625 SHCS	115-0012	
16	MOVEABLE CORE	301-0013		34B	CLAMP, CABLE GUIDE	303-0009-2	
17	SPRING, CORE	301-0012		34C	SUPPORT, CABLE GUIDE	303-0009-1	
18	GUN BODY	302-0001		35	CONTROL CABLE ASSY	302-0028	
19	COIL YOKE BEARING	301-0009		36	WELD CABLE ASSY	036-904	
20	GUN COIL	105-0024			WELD CABLE BOOT	036-904-1	
				37	CONTROL CABLE BOOT	036-897-1	

HEAVY DUTY ARC WELDING GUN

PART # 300-0900



ITEM	DESCRIPTION	PART NO.	LIST	ITEM	DESCRIPTION	PART NO.	LIST
1	CHUCK ADAPTOR	033-505		21	REAR COIL YOKE	301-0016	
2	CONNECTOR STUD	033-506		22	LIFT ADJ. SCREW	301-0008	
3	BELLOWS	301-0018		23	REAR CAP	033-493	
4	SHAFT EXT.	033-507		24	SCREW,#8-32 X 3/4 PAN HD.	037-521	
5	BEARING	033-491		25	TRIGGER BUTTON	302-0013	
6	FRONT CAP	.303-0003		26	SNAP RING	302-0023	
7	LIFTING ROD	303-0006		27	TRIGGER SPRING	302-0016	
8	SPRING, MAIN	301-0017		28	HANDLE COVER	302-0009HD	
9	LIFT STOP HOUSING	301-0019		29	TRIGGER SWITCH	302-0010	
10	LIFTING RING	301-0014		30	SCREW, #10-32 X 1/2 OVAL HD	115-0009	
11	MOVEABLE CORE	301-0013		31	SCREW, #8-32 X 1/4 SET	115-0010	
12	SPRING, CORE	301-0012		32	SCREW, 5/16-18 X 3/8 SET	037-557	
13	NUT, END CAP	033-482		33	WELD CABLE ASSY	044-059	
14	DAMPER ADJUST KNOB	303-0005		34	CONTROL CABLE ASSY	302-0028	
15	DAMPER COVER	303-0007		35	CABLE GUIDE ASSY	303-0009	
16	DAMPER SPRING RETURN	301-0021		35A	SCREW, #10-32 X .625 SHCS	115-0012	
17	GUN BODY	302-0001		35B	CLAMP, CABLE GUIDE	303-0009-2	
18	COIL YOKE BEARING	301-0009		35C	SUPPORT, CABLE GUIDE	303-0009-1	
19	COIL, GUN	105-0024			WELD CABLE BOOT	044-059-1	
20	WAVE WASHER	102-0117		36	CONTROL CABLE BOOT	036-897-1	